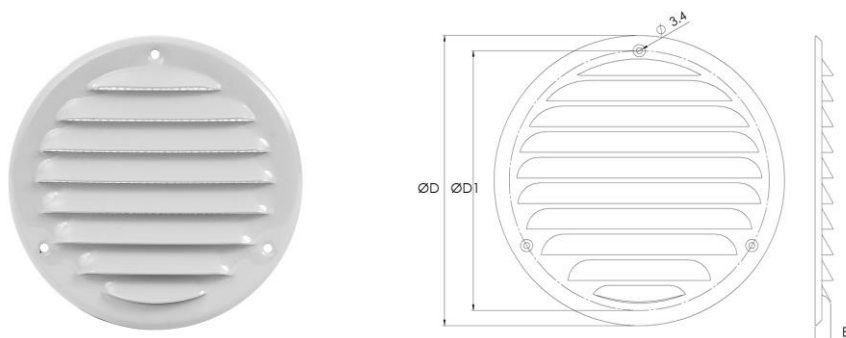


## Round metal grilles MR



### Description

Metal grilles for supply and exhaust ventilation equipped with insect screen.

### Technical data

Construction	Made from galvanized steel or other metals.
Installation	Screw fixing in any position.
Colors	White, brown, anthracite, beige, grey, black, metallic, copper, alluminium, stainless steel.

### Dimensions

Type	D [mm]	D1 [mm]	E [mm]	Air pass [m <sup>2</sup> ]	m [kg]
MR100	140	122	9,5	0,0034	0,088
MR125	164	147	9,5	0,0059	0,162
MR160	199	182	9,5	0,0085	0,182
MR200	240	223	9,5	0,0129	0,272

### Modifications

MRxxx – white RAL9016 polymer coating  
 MRxxxB – brown RAL8016 polymer coating  
 MRxxxA – anthracite color polymer coating  
 MRxxxY – beige RAL1015 polymer coating  
 MRxxxP – grey RAL9006 polymer coating  
 MRxxxM – black RAL9005 polymer coating  
 MRxxxZn – galvanized steel, unpainted  
 MRxxxCu – copper  
 MRxxxAl – aluminium  
 MRxxxi – stainless steel